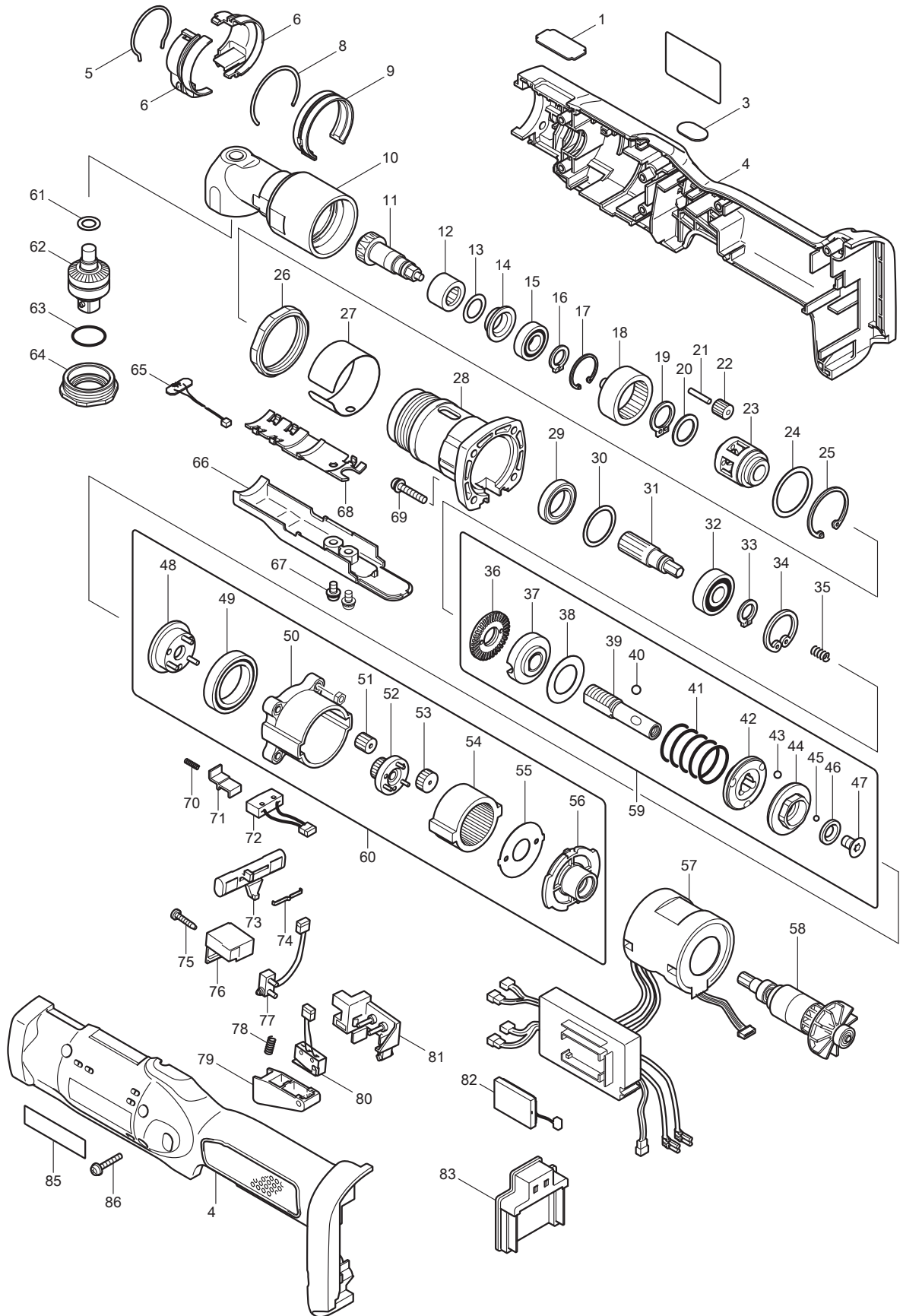




11 - 2008
BFL400FZ
14.4V3/8" NUT RUNNER, 221-354 INCH LBS



Item No.	Sub	Part No.	Description	Qty	Unit
1		345446-6	PLATE K	1	PC.
3		418001-8	LENS	1	PC.
4	1	183867-2	* HOUSING SET	1	SET
	1		Item No. 85		
	2	187856-9	* HOUSING SET	1	SET
	2		Item No. 85		
5		233932-8	RING SPRING 29	1	PC.
6		183848-6	LIGHT COVER SET	1	SET
8		233931-0	RING SPRING 36	1	PC.
9		418687-8	LEAD COVER	1	PC.
10	1	154446-3	ANGLE HEAD COMPLETE - N/L/A	1	PC.
	2	158056-8	ANGLE HEAD COMPLETE	1	PC.
11		227479-2	SPIRAL BEVEL GEAR 9	1	PC.
12		212108-0	NEEDLE BEARING 1212	1	PC.
13		253312-2	THIN WASHER 12	1	PC.
14		345281-2	SPACER	1	PC.
15		210057-5	BALL BEARING 6900LLB	1	PC.
16		961026-6	RETAINING RING S-10	1	PC.
17		962102-9	RETAINING RING R-22	1	PC.
18		227120-7	INTERNAL GEAR 50	1	PC.
19		961054-1	RETAINING RING S-14	1	PC.
20		253837-6	FLAT WASHER 14	1	PC.
21		256104-8	PIN 3	5	PC.
22		227138-8	SPUR GEAR 14	5	PC.
23		310148-3	CARRIER	1	PC.
24		267127-1	FLAT WASHER 26	1	PC.
25		962161-3	RETAINING RING R-32	1	PC.
26		252187-6	HEX. NUT M36-41	1	PC.
27		345447-4	RING 38K	1	PC.
28		317808-8	CLUTCH CASE	1	PC.
29		211283-9	BALL BEARING 6803ZZ	1	PC.
30		267283-7	FLAT WASHER 21	1	PC.
31		227137-0	SPUR GEAR 21	1	PC.
32		211088-7	BALL BEARING 6000DDW	1	PC.
33		961026-6	RETAINING RING S-10	1	PC.
34		962105-3	RETAINING RING R-26	1	PC.
35		233019-6	COMPRESSION SPRING 5	1	PC.
36	1	324281-5	LOCK NUT M12 - N/L/A	1	PC.
	2	324834-0	LOCK NUT M12	1	PC.
37	1	153442-8	ADJUST RING COMPLETE - N/L/A	1	PC.
	2	158408-3	ADJUST RING COMPLETE	1	PC.
38		267276-4	FLAT WASHER 18	1	PC.
39		324296-2	SPINDLE	1	PC.
40		216018-3	STEEL BALL 5.0	3	PC.
41		233357-6	COMPRESSION SPRING 19B	1	PC.
42		223146-7	CAM D	1	PC.
43		216024-8	STEEL BALL 4	3	PC.
44		223139-4	CAM A	1	PC.
45		216019-1	STEEL BALL 3	13	PC.
46		267247-1	FLAT WASHER 7	1	PC.
47		266305-0	TORX C.S HEAD SCREW M5X10	1	PC.
48		153443-6	CARRIER COMPLETE A	1	PC.
49		211375-4	BALL BEARING 6805LLB	1	PC.
50		418004-2	GEAR CASE	1	PC.
51		227050-2	SPUR GEAR 13	3	PC.
52		153445-2	SPUR GEAR 20 COMPLETE A	1	PC.
53		227049-7	SPUR GEAR 18	3	PC.
54		227048-9	INTERNAL GEAR 47	1	PC.
55		267774-8	LOCK WASHER	1	PC.

Item No.	Sub	Part No.	Description	Qty	Unit
56		418003-4	MOTOR BRACKET	1	PC.
57		631620-5	MOTOR CONTROL UNIT	1	PC.
58		619144-1	ROTOR	1	PC.
59		125265-4	CLUTCH ASS'Y J	1	PC.
			Item No. 36-47		
		125397-7	CLUTCH ASS'Y J	1	PC.
			Item No. 36-47		
60		125189-4	GEAR ASSEMBLY A	1	PC.
	INC.		Item No. 48-56		
61		253777-8	FLAT WASHER 8	1	PC.
62		154448-9	SPINDLE A COMPLETE	1	PC.
63		213275-4	O RING 18	1	PC.
64		285723-3	BEARING RETAINER 18-30	1	PC.
65		631622-1	LED CIRCUIT	1	PC.
66		418690-9	SWITCH COVER	1	PC.
67	1	911108-4	PAN HEAD SCREW M4X8	2	PC.
	2	265171-2	PAN HEAD SCREW M4X8	2	PC.
68		418686-0	LEAD HOLDER	1	PC.
69		265145-3	+ PAN HEAD SCREW M4X22	4	PC.
70		233025-1	COMPRESSION SPRING 2	1	PC.
71		418002-6	SWITCH LEVER	1	PC.
72		638184-0	SWITCH UNIT	1	PC.
73		418201-0	F/R CHANGE LEVER	1	PC.
74		232201-4	LEAF SPRING	1	PC.
75		266130-9	TAPPING SCREW BIND PT 3X16	1	PC.
76		418204-4	COVER	1	PC.
77		638276-5	SWITCH UNIT	1	PC.
78		231397-8	COMPRESSION SPRING 4	1	PC.
79		418203-6	SWITCH LEVER A	1	PC.
80		638275-7	SWITCH UNIT	1	PC.
81		418202-8	SWITCH BASE	1	PC.
82		631514-4	BUZZER CIRCUIT	1	PC.
83		643983-7	* TERMINAL	1	PC.
85		819063-3	MAKITA LABEL	1	PC.
86		265095-2	PAN HEAD SCREW M3X20	7	PC.

ACCESSORIES

- See catalogue or visit www.makita.ca for more optional accessories -

A01		765027-4	TORQUE ADJUST TOOL	1	PC.
A02		193992-1	14.4V NI-MH BATTERY BH1427	1	PC.
		194066-1	14.4V LI-ION BATTERY BL1430	1	PC.
A03		DC24SC	CHARGER DC24SC	1	PC.
A04		193681-8	REFRESHING ADAPTOR ADP03	1	PC.
A05		154450-2	SPINDLE G COM.(1/2"SQ)	1	PC.
		418691-7	PROTECTOR A(YELLOW) (FOR BODY)	1	PC.
		418743-4	PROTECTOR A(BLUE) (FOR BODY)	1	PC.
		418744-2	PROTECTOR A(RED) (FOR BODY)	1	PC.
		418745-0	PROTECTOR A(CLEAR) (FOR BODY)	1	PC.
		418693-3	PROTECTOR B (YELLOW) ((FOR ANGLE HEAD)	1	PC.
		418749-2	PROTECTOR B (BLUE) (FOR ANGLE HEAD)	1	PC.
		418750-7	PROTECTOR B (RED) (FOR ANGLE HEAD)	1	PC.
		418751-5	PROTECTOR B (CLEAR) (FOR ANGLE HEAD)	1	PC.
A07		195620-4	** ANTI KICK BACK HEAD SET (SPECIAL ORDER ITEM)	1	PC.

SERVICE CHANGES

1. Changes on Housing Set and Terminal

(TI#A2655)

Item No.	Description	Type 1	Type 2
4	Housing Set	183867-2	187856-9
83	Terminal	643983-7	643828-9

Above parts are completely interchangeable as a set.